

EWPX 177(/A, /E) rel. 6/97 ing

controller for "forced air" refrigerating units with alarm output

WHAT IT IS

The EWPX 177(/A, /E) is micro-processor based digital controller designed for refrigeration systems. They incorporate three relays for compressor, alarm system and defroster.

Furthermore, the EWPC 977/A is equipped with an internal buzzer for acoustic alarm signal.

HOW IT IS MADE

- **Housing:** plastic resin PC+ABS extinguishing grade V0
- **Size:** front panel 76x34 mm, depth 58 mm
- **Mount:** panel mount on 71x29 mm hole
- **Protection:** front IP65
- **Connections:** on screw terminal block for wires max 2.5 mm² (one wire only per block in compliance with VDE regulations)
- **Remote connection:** serial connection to the EWPX ECHO repeater (version /E only)
- **Serial connection:** TTL port for the connection to the EWRS 485 interface for TELEVIS system linking
- **Display:** 3 digit plus "-" sign; digit height 12.5 mm
- **Outputs:** 1 on N.O. relay 8(3)A 250V AC for the compressor, 1 relay output 5(2)A 250V AC for defrost system (in exchange) and 1 relay output 5(2)A 250V AC for alarm system (N.C.)
- **Analogue inputs:** NTC probes for temperature control and defrost management
- **Resolution:** 1 °C
- **Consumption:** 3VA (5 VA in the "/E" version with the EWPX ECHO module connected)
- **Power supply:** 12 Vac/dc ±15%

GENERAL DESCRIPTION

The EWPX 177(/A, /E) is microprocessor based digital controller designed for refrigeration systems.

They incorporate three relays for compressor, alarm system and defroster.

Furthermore, the EWPC 177/A is equipped with an internal buzzer for acoustic alarm signal.

As a standard feature it can be connected to the TELEVIS system. The "/E" version can also be connected to the EWPX ECHO data repeater, which allows remote display of the temperature measured by the instrument. The instrument can be configured according to the application through a series of parameters - it is supplied in the new 32x74 mm cabinet (ELI-WELL Standard).

OPERATION

The temperature control is always subject to a positive temperature differential (make on rise): the compressor stops when setpoint is reached and starts again upon reaching the setpoint temperature plus the differential.

A choice of two defrost types is available: electric defrost (during which the compressor stops) or hot gas defrost (during which the compressor is running). Other programming options include: defrost frequency time, time count mode, defrost termination temperature, and a defrost safety limit (time-out).

The high and low temperature alarms can be excluded for a certain length of time after start-up and/or after a defrost cycle. Moreover on the EWPX 177(/A, /E) the User can select the alarm output polarity. A number of compressor short-cycle protection solutions (i.e., delay on start, delay at switching off, delay between two successive starts) are incorporated in the system.

Thanks to a wide selection of other available parameters the controller can be adapted to virtually any application requirement.

COMMANDS ON FRONT PANEL

The instrument is provided with two keys: "UP" and "SET/DOWN".

SET/DOWN: by pressing and releasing it the Setpoint is displayed, the "SET" led is turned on.

To change the Setpoint value use the "UP" and "SET/DOWN" keys within 5 seconds. If no operation is performed for more than 5 seconds normal mode is restored and

the new value is automatically acquired.

The same button is used to increase values during Setpoint change or parameters programming. When held pressed a fast increase is performed.

UP: button used for value increase, used to change both the Setpoint and the parameters. A fast increase is obtained by holding it pressed. This key also allows manual start of the defrost cycle, by holding it pressed for more than 5 seconds (this function is not enabled during Setpoint or parameter programming). During the manual defrost cycle the "DEFROST" led will blink.

"COMPRESSOR" Led: led related to the compressor relay; it is on when the compressor works.

"SET" Led: it is on during Setpoint display and programming; it blinks during parameter programming.

"DEF" Led: status light of the defrost. It is on during automatic defrost; it blinks during manual defrost.

DISPLAYING AND SETTING THE SETPOINT

To display the Setpoint value press and release "SET/DOWN"; the Setpoint value is displayed and the "SET" led is turned on.

To change the Setpoint value operate on keys "UP" and "SET/DOWN" within 5 seconds; after such time normal mode will be restored.

MANUAL ACTIVATION OF THE DEFROST CYCLE

The manual activation of the defrost cycle starts by holding the "UP" key pressed for more than 7 seconds (the key is not active during Setpoint or parameter programming). In case the defrost conditions are not suitable (e.g. the temperature of the evaporator probe exceeds the end defrost temperature) the display will show the blinking "dFu" (deFrost unable) label. During manual defrost the "DEFROST" led blinks.

DISPLAYING PROBE VALUES

The instrument provides two probe inputs: temperature control and defrost management.

The pressure and release of the "UP" and "SET/DOWN" keys simultaneously causes the label "CPr" (Compressor Probe) to be displayed; by pressing and releasing the "SET/DOWN" key the display shows the value on the control probe.

By pressing the "UP" key the display

shows the label “EPr” (Evaporator Probe); by pressing and releasing the “SET/DOWN” key the display shows the value of the defrost probe.

KEYBOARD LOCKING

A special programming of the “Loc” parameter allows to disable the keyboard in order to avoid unauthorised operations or parameter changes.

When the keyboard is disabled the Setpoint and the parameters can only be displayed (not changed), except parameter “Loc” to allow keyboard release.

PASSWORD TO ACCESS PARAMETER PROGRAMMING

A password can be set to allow access to the parameter programming phase. To set (or change) the password access parameter “PAS” and type a number from 1 to 15 (0 to disable the password). The password will be enabled when exiting from the parameter programming phase.

In case the password is enabled, when requesting access to the parameter programming phase the label “PAS” is displayed. Press the “SET/DOWN” key to access password programming and change it using keys “UP” and “SET/DOWN”. If the password is correct the pressure of keys “SET/DOWN” and then “UP” enables access to the programming phase, otherwise it will automatically quit.

PARAMETERS PROGRAMMING

The programming phase can be accessed pressing the “UP” and “SET/DOWN” keys simultaneously for more than 7 seconds. The first label is displayed and the “SET” led starts blinking. To access other parameters press “UP” or “SET/DOWN”; to display the value of the parameter shown on the display press “UP” and “SET/DOWN” simultaneously. To change its value press “UP” or “SET/DOWN”.

The storage of new values takes place automatically when exiting the programming mode (no key pressed for some seconds).

PARAMETERS DESCRIPTION

diF: differential.

Setpoint intervention differential.

For applications in the field of refrigeration the differential shall be set to positive values; the compressor will stop when the Setpoint is reached (according to the control probe) and start again when the temperature reaches the Setpoint plus the differential.

LSE: Lower Set.

Minimum value that can be assigned to Setpoint.

Usually set to the minimum value measurable by the probe.

HSE: Higher Set.

Maximum value that can be assigned to Setpoint.

dy: defrost type.

EL = electric defrost;

in = cycle inversion defrost (hot gas).

dit: defrost interval type.

Defrost interval in hours or minutes.

dct: defrost counting type.

Counting mode for the defrost interval.

dF = digifrost Feature (DIGIFROST® method; only the operation time of the compressor is counted).

rt = real time (the count is based on the operating time of the instrument).

SC = Stop Compressor (the defrost takes place whenever the compressor stops).

Fr = Free (the compressor relay has no relation with the defrost functions and continues to regulate on Setpoint).

doh: defrost offset hour.

Defrost start delay time; in minutes.

dEt: defrost Endurance time.

Defrost time-out; in minutes or seconds.

dSt: defrost Stop temperature.

dt: drainage time.

Dripping time in minutes.

dPo: defrost (at) Power-on.

y = yes; n = no

ddl: defrost display lock.

n = no; during defrost the display will show the temperature measured by the room probe.

y = yes; during defrost the display will show the last value measured by the room probe before defrost.

Lb = Label (“defrost”); during defrost the display will show the “dEF” (dEFrost) label to indicate defrost is in progress.

Lg = Label (“degivrage”); during defrost the display will show the “dEg” (“dEgivrage”) label to indicate defrost is in progress.

NOTE: in case “n” or “lb” is selected the display will be locked until the Setpoint on the room probe is reached.

Att: Alarm temperature type.

Decoding mode for parameters “HAL” and “LAL”.

Ab = Absolute; re = relative.

HAL: High Alarm.

Maximum temperature alarm.

LAL: Low ALarm.

Minimum temperature alarm.

AFd: Alarm (Fan) differential.

Operating differential for temperature alarms.

PAO: Power-on Alarm Override.

Alarm exclusion after instrument start-up; in hours.

dAo: defrost Alarm override.

Alarm exclusion after defrost; in minutes.

tAo: temperature Alarm override.

Delay for temperature alarm signalling; in minutes.

cPP: compressor Probe Protection.

Allows the selection of the output state in case of faulty probe.

oF = relay OFF in case of faulty probe.

on = relay ON in case of faulty probe.

dc = duty cycle; the ON and OFF times for the relay are defined by parameters “Ont” and “OfT”.

Ont: On time (compressor).

ON time for the compressor (when CPP =

dc); in minutes.

OfT: OFF time (compressor).

OFF time for the compressor (when CPP = dc); in minutes.

ctP: compressor type Protection.

Allows the selection of the protection type to prevent close startups of the output (time is set through the following parameter).

nP = no Protection.

don = delay on start. Delay on relay activation.

doF = delay at switching oFf. Minimum time for relay cut off.

dbl = delay between two successive starts.

cdP: compressor delay Protection.

Time referred to the previous parameter; in minutes.

odo: output delay (at) on.

Delay for the activation of outputs at start-up; in minutes.

PrP: Presence Probe.

Allows to select the presence of the Evaporator probe.

nP = Evaporator probe not present;

EP = Evaporator probe present;

AP = not usable;

EAP = not usable.

CAL: CALibration.

Allows the calibration of the value measured by the control probe in case it is different from a sample value. Default set to “0”.

dEA: dEvice Address.

Allows the selection of the device address in the remote control network.

FAA: FAMily Address.

Allows the selection of the device family in the remote control network.

AOP: Alarm Output Polarity (not present for EWPX 177/A version).

di = direct; **in** = inverted.

Loc: keyboard Lock.

Allows to disable the keyboard to prevent unauthorised operations. When the keyboard is disabled only display (not modification) of Setpoint and parameters is allowed. Only the “Loc” parameter can be modified to permit keyboard unlock.

y = yes ; n = no.

PAS: PASsword.

Allows to set a password (see paragraph “Password to access parameter programming”).

0 = no password required to access parameter programming;

1...15 = available values for the password.

rEL: rELease firmware.

Read-only parameter showing the release code of the product.

tab: table of parameters.

Summary of factory set parameters; cannot be modified by the user.

MECHANICAL MOUNT

The instrument was designed for panel mount. Make a 29x71 mm hole and introduce the instrument fixing it with the supplied bracket. The operating temperature

DEFAULT SETTINGS - STANDARD MODELS

Parameter	Description	Range	Default	Unit
diF	differential	-12...12	2	°C / °F
LSE	Lower SEt	-999...HSE	-50	°C / °F
HSE	Higher SEt	LSE...999	40	°C / °F
dtY	defrost type	EL / in	EL	flag
dit	defrost interval time	0...31	6	hours
dct	defrost counting type	dF / rt / SC / Fr	dF	flag
doh	defrost offset hour	0...59	0	minutes
dEt	defrost Endurance time	1...250	30	minutes
dSt	defrost Stop temperature	-999...999	8	°C / °F
dt	drainage time	0...250	0	minutes
dPo	defrost (at) Power-on	n / y	n	flag
ddL	defrost display Lock	n / y / Lb / Lg	n	flag
Att	Alarm temperature type	Ab / re	re	flag
HAL	High ALarm	-999...999	50	°C / °F
LAL	Low ALarm	-999...999	-50	°C / °F
AFd	Alarm (Fan) differential	1...50	2	°C / °F
PAO	Power-on Alarm Override	0...10	2	hours
dAo	defrost Alarm override	0...999	60	minutes
tAo	temperat. Alarm override	0...250	0	minutes
cPP	compressor Probe Prot.	oF / on / dc	on	flag
Ont	On time (compressor)	0...250	10	minutes
Oft	OFF time (compressor)	0...250	10	minutes
ctP	compr. type Protection	nP/don/doF/dbi	doF	flag
cdP	compr. delay Protection	0...15	0	minutes
odo	output delay (at) on	0...99	0	minutes
PrP	Presence Probe	nP / EP / AP / EAP	EP	flag
CAL	CALibration	-12...12	0	°C / °F
dEA	dEvice Address	0...14	0	number
FAA	FAMily Address	0...14	0	number
AOP *	Alarm Output Polarity	di / in	in	flag
Loc	(keyboard) Lock	n / y	n	flag
PAS	PASsword	0...15	0	number
rEL	rELease firmware	/	/	/
tAb	tAbles of parameters	/	/	/

* Not present for EWPX 177/A version

for proper operation ranges from -5 to 65 °C. Avoid installation in dirty or moist environments. Ensure air can circulate by the refrigerating holes of the instrument.

ELECTRICAL CONNECTIONS

EWPX 177(/A, /E) is provided with three relay outputs, one serial output for the connection to the TELEVIS system and another serial output for the EWPX ECHO repeater (version /E only).

The instrument includes a screw terminal block for the connection of electrical cables with a maximum 2.5 mm² section (one wire only for each block, according to VDE regulations). Relay outputs are free from voltage.

EWPX 177(/A, /E) is provided with two outputs for compressor relay (N.O.) and alarm relay (N.C.) and one output (ex-

change contact) for defrost relay. Do not exceed the maximum contact capacity: 8(3)A 250V AC; in case of heavier loads use a suitable contactor.

Check the power voltage complies with the instrument requirements: 12 Vca/cc ±15% (very low safety voltage).

The NTC probe has no insertion polarity and can be lengthened using a common bipolar cable (bearing in mind that a very long probe implies worse instrument performances referred to the EMC).

Outputs for the connection of the EWPX ECHO repeater (version /E only) and the EWRS 485 interface module of the TELEVIS system require connections according to the indicated polarity.

The probe cable, the connection cable for the EWPX ECHO repeater (version /E only), the connection cable for the EWRS 485 in-

terface module shall be kept far from the relay cables both for EMC and safety reasons. The coordinated European safety regulations state that the relay contacts (and generally speaking, all parts subject to dangerous voltage) shall be kept away from the very low safety voltage connections (probe, Televis serial, power supply) using insulation systems and distances providing at least a double or reinforced insulation.

However EMC requirements for correct operation suggest/impose better accuracy in such separation by using separated insulating pipes and special cable fixing systems.

EWPX ECHO (version /E only) operates at very low safety voltage and shall be installed respecting the same insulation/separation conditions from the parts bearing voltage and the wires of the relay contacts.

ERROR MESSAGES

EWPX 177(/A, /E) displays error message "E1" in case of shorted, interrupted or disconnected probe. The message is also displayed in case of "under range", i.e. when the lower display limit (-55 °C) is exceeded, or in case of "over range", i.e. when the upper display limit (125 °C) is exceeded.

Error message "E2" refers to the evaporator probe (defrost end) for the same reasons as above.

In case of error the relay alarm and the acoustic alarm (for /A version) are immediately activated.

Before replacing the probe check its connections.

TECHNICAL DATA

Housing: plastic resin PC+ABS extinguishing grade V0.

Size: front panel 76x34 mm, depth 58 mm.

Mount: panel mount on 71x29 mm hole.

Protection: front IP65.

Connections: on screw terminal block for wires max 2.5 mm² (one wire only per block in compliance with VDE regulations).

Remote connection: serial connection to the EWPX ECHO repeater (version /E only).

Serial connection: TTL port for the connection to the EWRS 485 interface for TELEVIS system linking.

Display: 3 digit plus "-" sign; digit height 12.5 mm.

Commands: all located on front panel.

Data storage: on non-volatile memory (EEPROM).

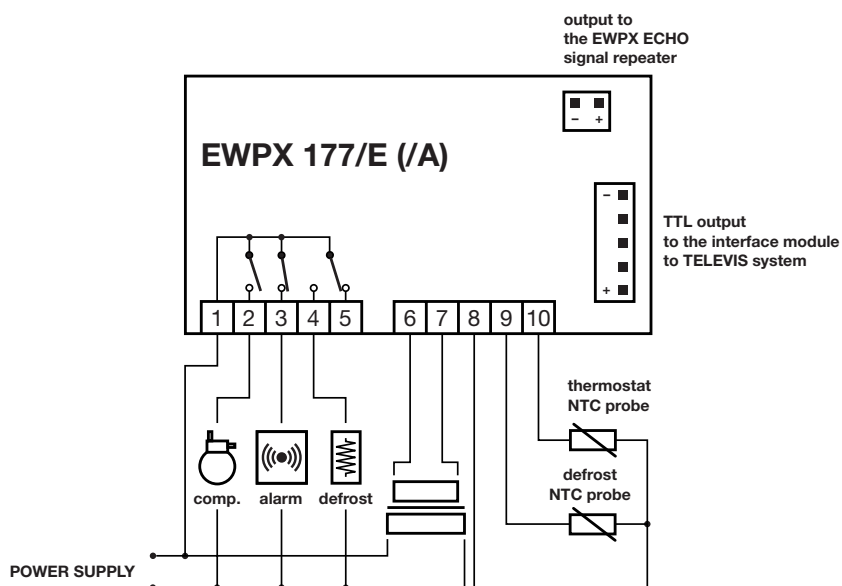
Operating temperature: -5...65 °C; (23...149 °F).

Storage temperature: -30...75 °C; (-22...167 °F).

Outputs: 1 on N.O. relay 8(3)A 250V AC for the compressor, 1 on N.C. relay output 5(2)A 250V AC for alarm and 1 on exchange relay output 5(2)A 250V AC for defrost system.

Analogue inputs: two (2) NTC probes for

CONNECTIONS



temperature control and defrost management.

Range: $-50 \dots 100 \text{ } ^\circ\text{C}$ ($-58 \dots 212 \text{ } ^\circ\text{F}$).

Resolution: $1 \text{ } ^\circ\text{C}$.

Accuracy: better than 0.5% on full range.

Consumption: 3VA (5 VA in the "/E" version with the EWPX ECHO module connected).

Power supply: 12 Vac/dc $\pm 15\%$.

Eliwell S.p.A.

via dell'Artigianato, 65
Zona Industriale
32010 Pieve d'Alpago (BL)
Italy

Telephone +39 (0)437 986111

Facsimile +39 (0)437 989066

A Siebe Group Company